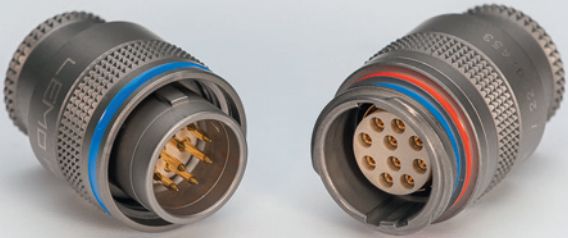


ALUMINIUM CORROSION RESISTANT M SERIES CONNECTORS



NiCorAl™ 500 hours salt spray corrosion resistant finish

Designed for harsh environments, the new LEMO surface treatment for aluminium connectors offers extensive features.

Benefits

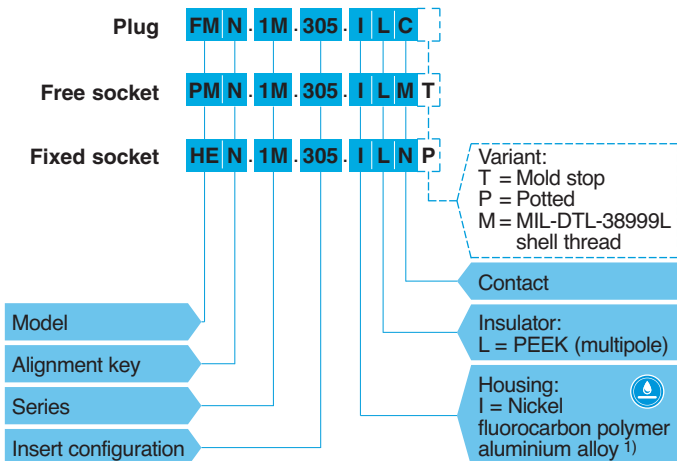
- RoHS 2 & REACH (sunset date ready) compliant
- AECTP 300 / MIL-STD-810 / MIL-STD-202 salt spray compliant

Feature

- Anthracite grey finish
- Nickel fluorocarbon polymer coating
- 500 hours salt spray resistant
- Aluminium low weight
- Shell continuity < 1.5 mΩ
- 1000+ hours with brass version for marine applications



Part Numbering System



FMN.1M.305.ILC = straight plug with key (N), 1M series, multipole type with 5 contacts, outer shell in nickel fluorocarbon polymer aluminium alloy, PEEK insulator, male crimp contacts.

Note: ¹⁾ anthracite colour / 500 hours salt fog resistance RoHS 2/REACH.

The LEMO M Series is a range of micro-38999 style connectors with from 2 to 114 contacts in shell sizes from 11mm to 34mm diameter providing significant space savings over traditional MIL-spec connectors.



LEMO HEADQUARTERS

Ch. des Champs-Courbes 28
P.O. Box 194, CH-1024 Ecublens
Tel: (+41 21) 695 16 00
Fax: (+41 21) 695 16 02
info@lemo.com

