

ETHERNET-TO-FIBRE MEDIA CONVERTER



Ethernet Media Converter

The LEMO Ethernet to fibre media converter has been designed to ensure reliable conversion in harsh environments. A pair of media converters enables the conversion of signal from Ethernet 100 BaseT copper networks to fibre optics and vice-versa.

Using the converter allows the Ethernet signal to be transmitted over a long distance without loss of quality.

The advantages are immunity to electro-magnetic interference and increased security for sensitive information.

Advantages

- single mode fibre
- cable \varnothing 2.6 to 10.5 mm
- high shock and vibration resistance
- watertight IP 68
- reliable and secure, difficult to tap into the signal
- easy to deploy and operate
- LED indicators TX / RX / Power

Applications

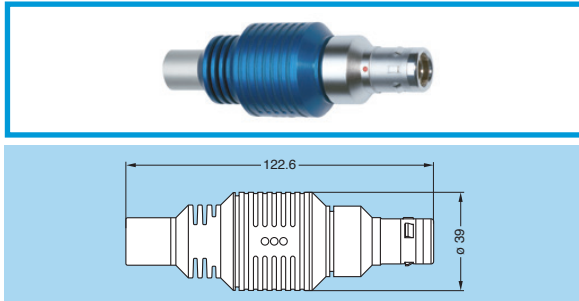
- traffic light signals / smoke and fire alert
- remote surveillance / video security
- military and industrial environment



Technical and Environmental characteristics

Characteristics	Values
Fibre type	Singlemode 9/125 μm
Wavelength	1310 nm (Typical)
Temperature range	-20°C to +85°C
Electrical Input	10/100/1000 BaseT Ethernet, 5V supply (130mA)

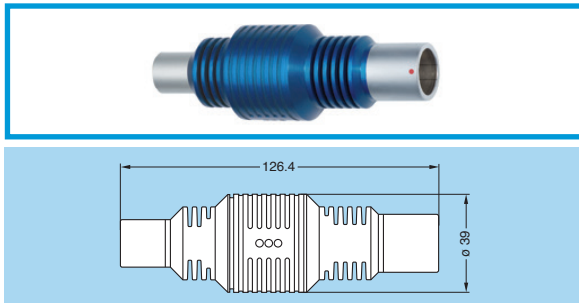
Characteristics	Values
LD Optical Output	250 μW (Typical)
Photodiode Sensitivity	-26 dbm to -5 dbm
Data Rate	1.25 Gbps (max.)



FGG Gigabit converter with fibre optic plug and 2K series socket

Part number	Mating connector optical side	Mating connector electrical side
FGG.MG.3KA.CP2K10	PHG.3K.03A.CLZT••Z	FGL.2K.310.CLLC••Z

Note: replace •• by the cable diameter required (consult factory).



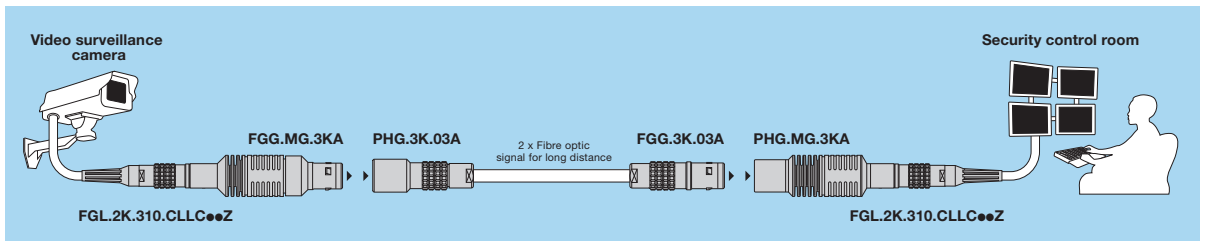
PHG Gigabit converter with fibre optic socket and 2K series socket

Part number	Mating connector optical side	Mating connector electrical side
PHG.MG.3KA.CP2K10	FGG.3K.03A.CLZT••Z	FGL.2K.310.CLLC••Z

Note: replace •• by the cable diameter required (consult factory).

Note:

Model FGG.MG.3KA.CCZC••Z and model PHG.MG.3KA.CCZC••Z are available on request. These models include a cable tail (cable assembly). Please consult LEMO for further details.



LEMO HEADQUARTERS

SWITZERLAND
LEMO SA
Chemin des Champs-Courbes 28 - P.O. Box 194 - CH-1024 Ecublens
Tel. (+41 21) 695 16 00 - Fax (+41 21) 695 16 02 - e-mail: info@lemo.com

www.lemo.com